

APPLICATION:

PRODUCT NAME:

GLASS FILLER 1/2" M X 1/4" F

JOB NAME:

SPECIAL CONFIGURATION  
 CHECK BASE MODEL AND OPTIONS

QUANTITY:

ITEM NO.

MODEL:

1013

OPTIONS OR MODIFICATIONS:

OTHER \_\_\_\_\_

FEATURES

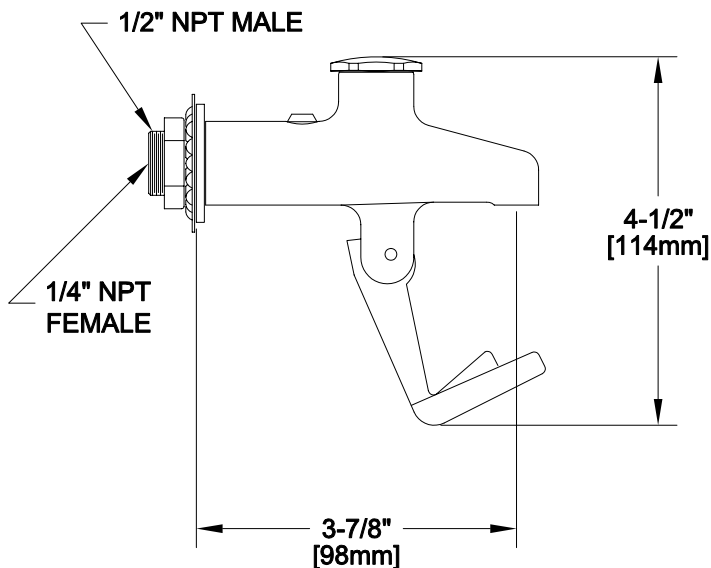
- \* STAINLESS STEEL HEAD
- \* MEETS NSF 61/SEC.9\*\*
- \* TAMPER PROOF VOLUME CONTROL
- \* HANDLES BOTH PAPER & GLASS CUPS
- \* NON-MARRING DELRIN PRONG
- \* STAINLESS STEEL SEAT SCREWS
- \* STAINLESS STEEL STREAM STRAINER
  
- \*\* TESTED UNDER NSF-CSA ALLIANCE PROGRAM

SYSTEM LIMITS

- \* TEMP: 40°F MIN. TO 140°F MAX.
- \* PRESSURE: 100 PSI MAX. STATIC
- \* 2.2 GPM AT 80 PSI

SHIPPING WEIGHT

- \* 1.25 LBS



ROUGH-IN:

